



San Marcos Warehouse  
1980 Diamond Street  
San Marcos, CA 92078

(760) 746-7727

[BullGrillsAndSpas.com](http://BullGrillsAndSpas.com)

### Seat Depth Reference

(S1) - 21 - 3/4"

(S2) - 20"

(S3) - 26"

(S4) - 24"

(S5) - 29"

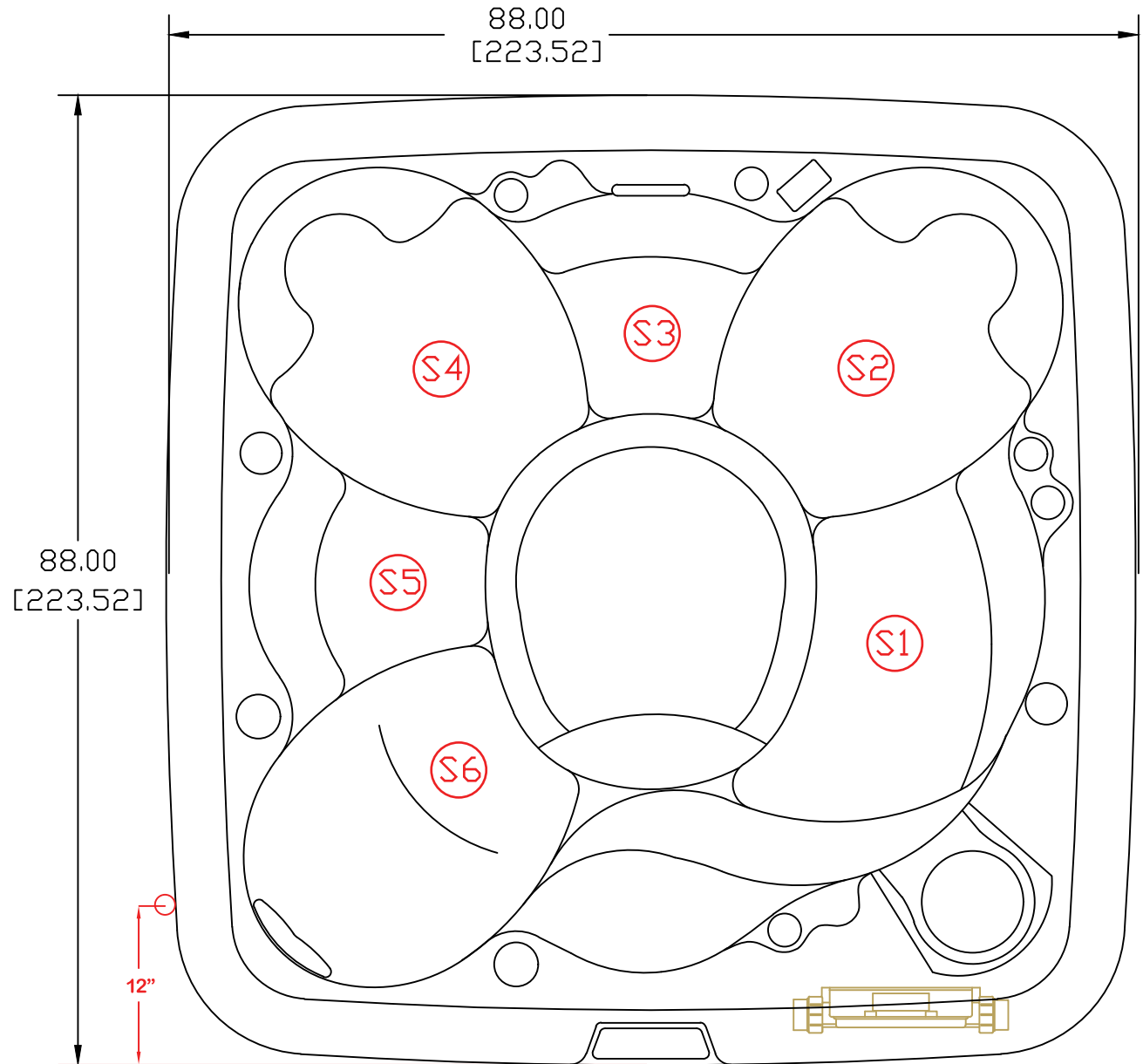
(S6) - 22 - 3/4"

(S7) - 23 - 3/4"

### Electrical Requirements

(4-Wire) 240/40A/60A

# AMERICAN WHIRLPOOL 470



Place Electrical Supply on left side of Hot Tub.  
(12" to the rear of spa)