



AMERICAN WHIRLPOOL MB4

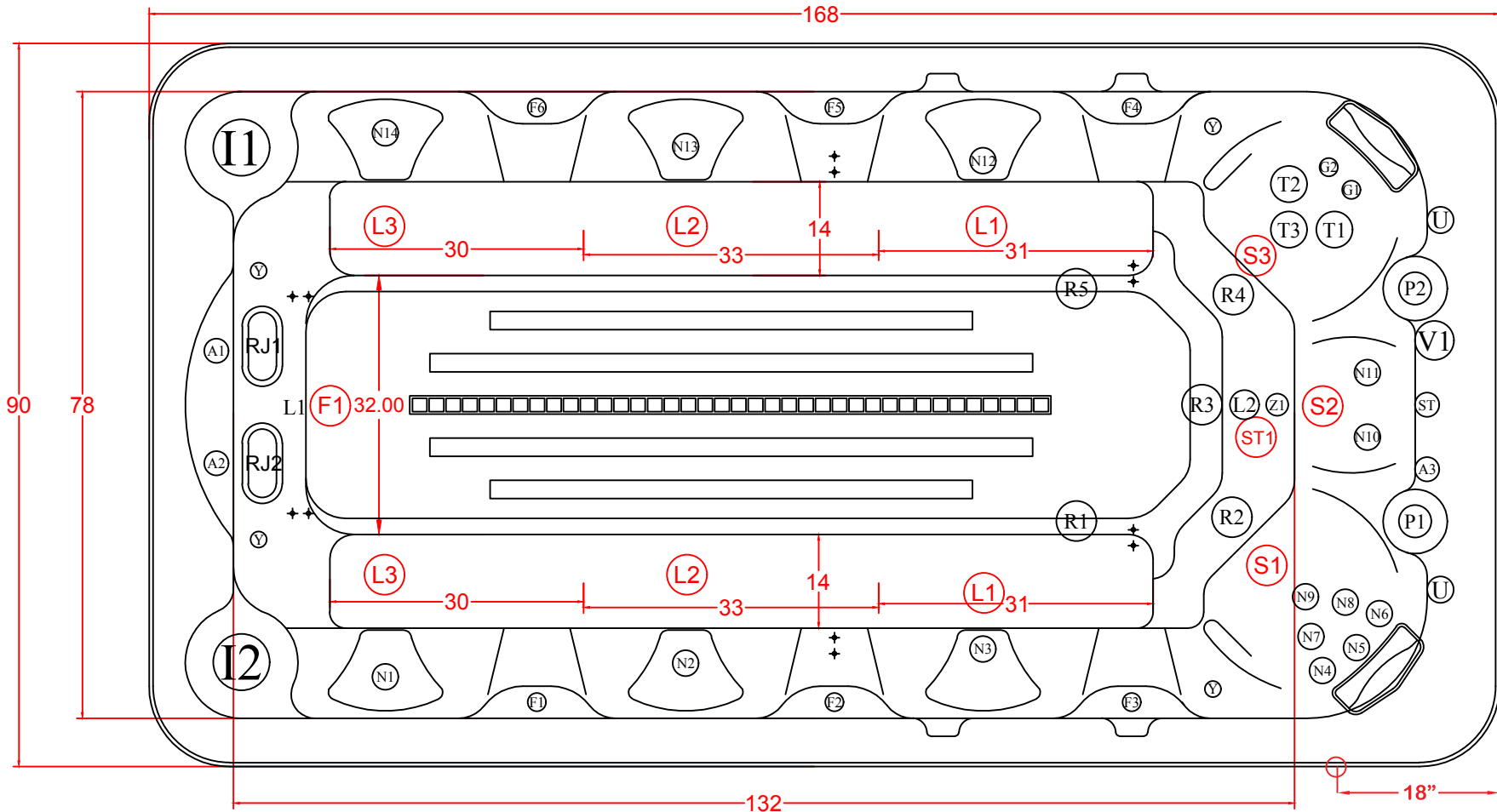
San Marcos Warehouse
1980 Diamond Street
San Marcos, CA 92078

(760) 746-7727
BullGrillsAndSpas.com

Seat Depth Reference

(S1) - 27 - 5/8"	(ST1) - 35 - 1/2"	(L2) - 28"
(S2) - 22"	(F1) - 47 - 1/2"	(L3) - 29 - 7/8"
(S3) - 27 - 1/8"	(L1) - 26 - 7/8"	

Electrical Requirements
240V/50A/60A



Place Electrical Supply on right side of Swim Spa. (18" to the rear of spa)