

2023 QS Elite Island Program:

Center Q

Production Order #: _____

PO #: _____

Gas Type:

LP

NG

Light Grey Selection Includes:

BG114FO Fior Di Bosco Top w/
SR-309 Base

Dark Grey Selection Includes:

BG114GR Greystone Top w/
SR-16 Base

Brown Selection Includes:

BG114IV Ivory Top w/
SR-304 Base

Measurements:

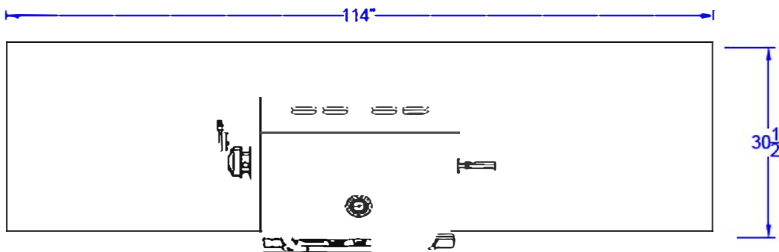
9-1/4" Grill Drop w/ Counter

35-1/2" Frame Studs & Tracking Finished

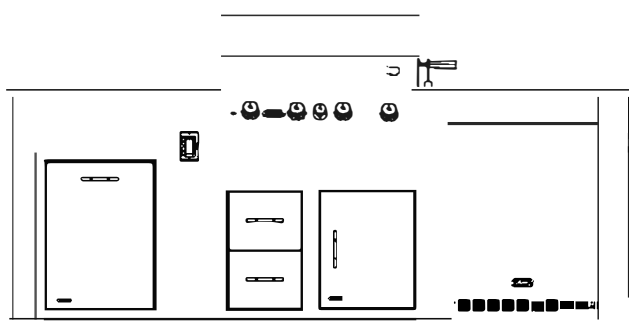
Backerboard Flush to Top of Base

Includes the following:

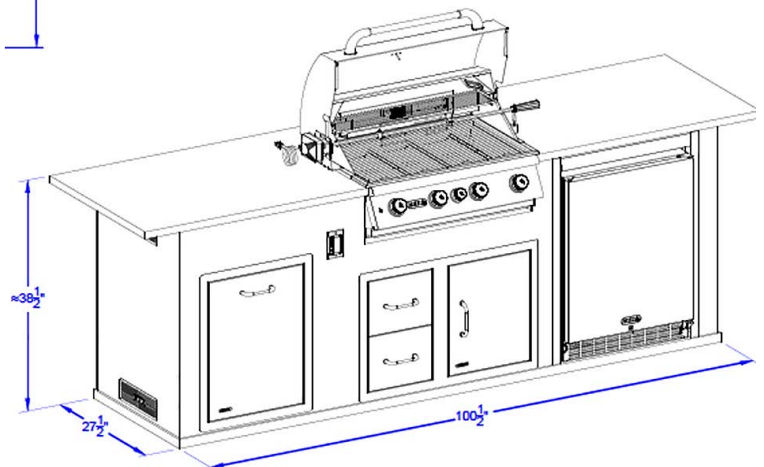
- Angus Grill
- Deluxe Outdoor Rated Fridge & Frame
- 30" Door/Drawer Combo
- Double Trash Drawer
- GFCI Outlet



TOP VIEW



Front Veiw



ISOMETRIC VIEW